

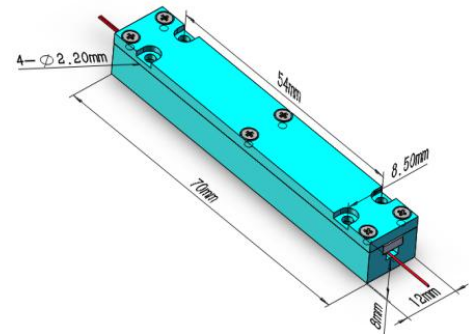
Cladding Power Stripper(PM or Non-PM)

☆ Features

- Low Signal Loss and Beam Quality Degradation
- High Stripping Efficiency
- High Extinction Ratio (for PM Fiber)
- Stable and Reliable

☆ Application

- High Power Fiber Laser
- High Power Fiber Amplifier



☆ Specifications

Port Configuration	1x1		
Pump Wavelength	800~1000nm		
Signal Wavelength	800~2000nm		
Signal Fiber	X/125	X/125	X/400
Cladding Attenuation	>20db	>18db	>18db
Signal IL	<0.13db		
Power Handling	20W, 40W, 100W, 1000W, other		
Extinction Ratio	>20dB (Input PER>23dB, For PM type)		
Return Loss	>45db		
Pigtail Length	1.0m Bare Fiber or Customized		
Package Dimension	70×12×8mm, 100x15x10mm, other		
Operating Temperature	0℃~+75℃		
Storage Temperature	-40℃~+85℃		

☆ Ordering Information

Device ID	Explain	Option
XX-XXX	Device type	XQ-PMCPs XQ-CPS=Non PM
X	Pump Wavelength	Pump Wav: F=915nm, G=975nm Signal Wav: I=1064nm, O=1550nm, K=2000nm
X	Signal Fiber	1= 6/125 N A:0.14/0.46 2= 8/125 N A:0.14/0.46 3=10/125 N A:0.08/0.46 4=20/125 N A:0.08/0.46 5=20/250 N A:0.08/0.46 6=30/250 N A:0.06/0.46 7=20/130 N A:0.08/0.46 8=25/250 N A:0.08/0.46 9=20/400 N A:0.08/0.46
XX	Pigtail Length	08=0.8m,10=1.0m
X	Package Dimension	A=70x12x8mm B=100x15x10mm C=Φ4x60mm other

Example: XQ-CPS-F-1-08-A

Address: 5F, Building 2, Invengo Industrial Park, TongGuan Road, GongMing Street, GuangMing New District ShenZhen, China

Website: www.szoscom.com

Phone:+86-755-83118073

Fax: +86-755-83272391

E-mail: sales@szoscom.com